

**BCR Series, High Volume Curved Glass Refrigerated Bakery Display Case**

**BCD Series, High Volume Curved Glass Dry Bakery Display Case**



*model shown BCR-6*

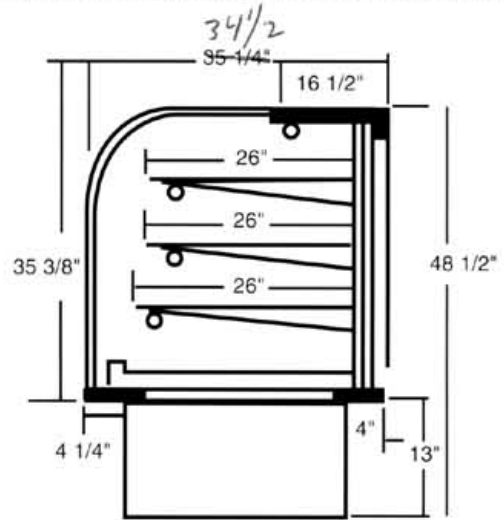


7453 Northwest 32nd Avenue, Miami, Florida 33147 • (305) 691-0500

Fax (305) 691-1212



**BC Series, Curved Glass Bakery Display Cases for High Volume Refrigerated and Non-Refrigerated**



**STANDARD FEATURES**

- Curved insulated safety glass (non insulated on BCD Models)
- Full length fluorescent lighting installed at top of case and under each shelf
- Three rows of heavy duty white coated wire shelves able to accommodate standard 18" x 26" sheet pans
- Electrical cord and plug
- Air cooled low velocity refrigeration system mounted on easy removable slide in and out base on BCR Models
- Mirror interior ends
- Mirror interior sliding doors, white on exterior doors
- Mirror stainless top
- Mirror stainless steel front grill on BCR Models
- Heavy duty aluminum mill finish main deck on BCR Models
- Condensate evaporator eliminates need for drain on BCR Models

model	length	height	depth	row of shelves	pan capacity 18" x 26"	amps	voltage	H.P.	est. weight
BCR-48	49" <del>48"</del>	48 1/2"	35 1/4" <sup>34 1/2"</sup>	3	8 full 4 half	12 amps	120/60/1	1/3	665 lbs
BCD-48	49" <del>48"</del>	48 1/2"	35 1/4" <sup>34 1/2"</sup>	3	8 full 4 half	3 amps	120/60/1	—	470 lbs
BCR-59	60" <del>59"</del>	48 1/2"	36 1/4" <sup>34 1/2"</sup>	3	12	16 amps	120/60/1	1/2	780 lbs
BCD-59	60" <del>59"</del>	48 1/2"	36 1/4" <sup>34 1/2"</sup>	3	12	3 amps	120/60/1	—	680 lbs
BCR-77	78" <del>77"</del>	48 1/2"	36 1/4" <sup>34 1/2"</sup>	3	16	16 amps	120/60/1	1/2	970 lbs
BCD-77	78" <del>77"</del>	48 1/2"	36 1/4" <sup>34 1/2"</sup>	3	16	3 amps	120/60/1	—	840 lbs

**NOTE:** Designed for use in locations with air conditioning, where temperature and relative humidity DO NOT exceed 75°F and 55% R.H. (Excessive condensation & loss of temperature may occur).

We reserve the right to change specifications and or colors of interior and or exterior parts at our own discretion without notice.

