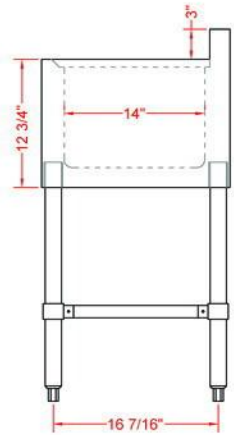
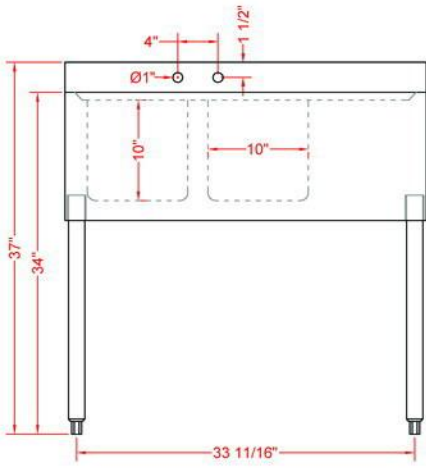


A-A(前、左和右边折弯示意图)
SIDE BENDS

Bar sink 36"
Two Comp.(10"X14"X10)
12"DR
18GA.201S/S top and back
18GA.201S/S bowl
20GA.201S/S apron
16GA.Galvanized leg
S/S leg brace



BAR2B36-R