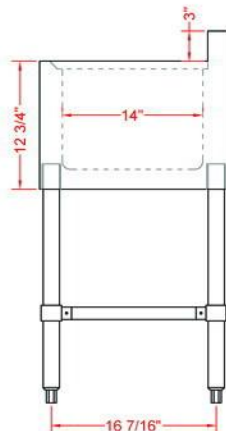
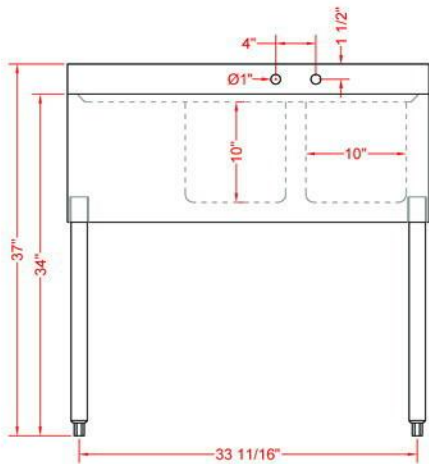


A-A(前、左和右边折弯示意图)  
SIDE BENDS

- Bar sink 36"
- Two Comp.(10"X14"X10)
- 12" DL
- 18GA.201S/S top and back
- 18GA.201S/S bowl
- 20GA.201S/S apron
- 16GA.Galvanized leg
- S/S leg brace



**BAR2B36-L**