



StorageBins

A PURPOSE-BUILT ICE BIN – CLEANER BY DESIGN, EASIER TO USE, AND BUILT TO LAST.

FEATURES

- **Exterior:** TrueTech® clear-coated aluminum with superior corrosion and fingerprint resistance; antimicrobial molded lid.
- **Interior:** 100% antimicrobial bin liner.
- **Insulation:** Environmentally friendly, high-density polyurethane foam for maximum ice retention.
- **Design:** Slow-close hinged lid and removable ice baffle.
- **Scoop:** Magnetic MagnaScoop® included; stores inside or outside the bin.



TIB-322-A-T-1



TIB-422-A-T-1



TIB-430-A-T-1



TIB-530-A-T-1



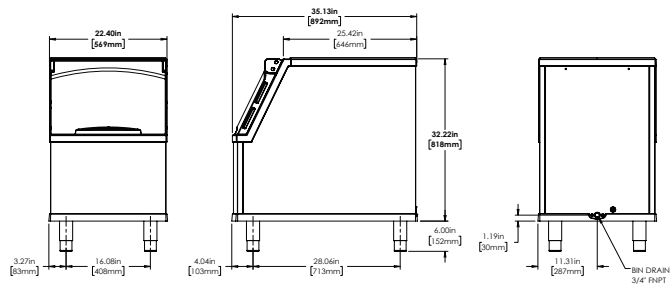
TIB-948-A-T-1



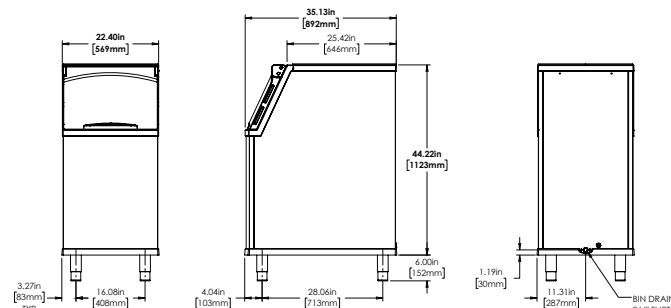
Storage Bin | Specifications

PLAN VIEWS

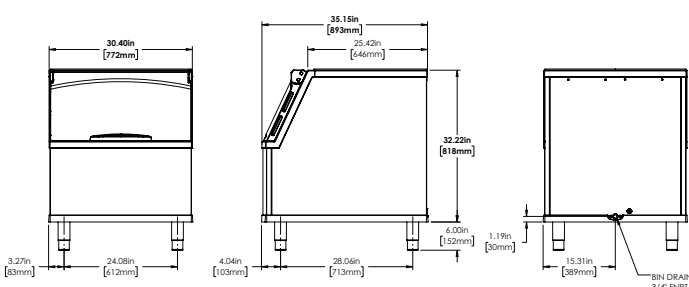
TIB-322-A~T-1



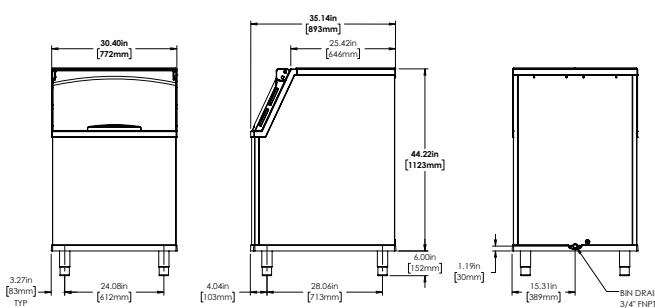
TIB-422-A~T-1



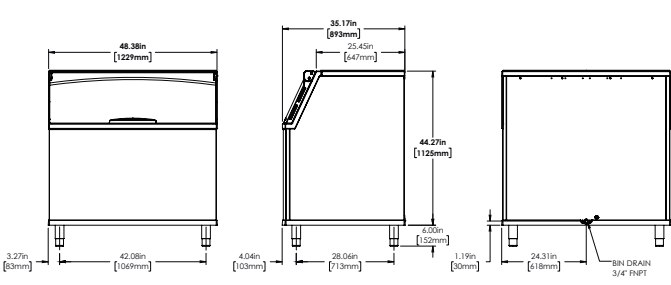
TIB-430-A~T-1



TIB-530-A~T-1



TIB-948-A~T-1



BIN ACCESSORIES

- 4" Bin Top Adapter for (2) 22" Machines on a 48" Bin (228243)
- 8" Bin Top Adapter for 22" Machine on a 30" Bin (228242)
- 18" Bin Top Adapter for 30" Machine on a 48" Bin (228244)

CONNECTIONS

- Water Out: 3/4" Female NPT

Model	Capacity (lbs)	Dimensions (W x D x H*)	Cubic Volume (ft ³)	Crated Weight (lbs)
TIB-322-A~T-1	250	22" x 35" x 38" (559 x 890 x 965 mm)	8.5	110
TIB-422-A~T-1	360	22" x 35" x 50" (559 x 890 x 1270 mm)	12.2	140
TIB-430-A~T-1	365	30" x 35" x 38" (762 x 890 x 965 mm)	12	150
TIB-530-A~T-1	515	30" x 35" x 50" (762 x 890 x 1270 mm)	17.4	180
TIB-948-A~T-1	865	48" x 35" x 50" (1219 x 890 x 1270mm)	29	230

*Total height includes 6" legs.

