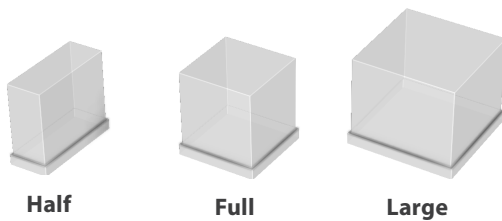


**True Ice Series:**  
Modular Cubed Ice Maker  
**TCIM-622**



TCIM-622  
TIB-422

**CUBE SIZES**



Full Ice Cube Dimensions	
Half	7/16" x 1-1/8" x 7/8" (11.1 x 28.6 x 22.2 mm)
Full	7/8" x 7/8" x 7/8" (22.2 x 22.2 x 22.2 mm)
Large	1-1/8" x 1-1/8" x 7/8" (28.6 x 28.6 x 22.2 mm)

**FEATURES & BENEFITS**

**Produces up to 640 lbs. of ice per 24 hours**

- Environmentally friendly R290 refrigeration system for optimum ice production and energy efficiency
- 30% below DOE 2018
- 20% below Energy Star

**Superior Sanitation**

- TrueZone\* protection to purify surrounding air in bin and food zone
- TrueGuard Antimicrobial embedded in every plastic piece including bin liners
- Food zone pieces easily removed without tools
- Simple 1-touch cleaning
- Easily removable air filter with RCU technology

**Advanced Control with Touch Screen**

- 4.3" front display – largest in the industry
- Simple touch operation
- Advanced diagnostics which allows for predictive and proactive measures
- Built-in alarms & push notifications
- Programmable ice production
- Time-of-Flight™ ice sensor eliminates the need for bin thermostats

**Remote Monitoring Capabilities**

- Remote monitoring with easy back end data access
- Location based performance enhancement
- Remote shut off

Commercial Ice Maker Warranty	
Ice Maker	<b>3 YEARS</b> parts and labor
Compressor	<b>5 YEARS</b> parts
Evaporator	<b>5 YEARS</b> parts and labor

\*TrueZone device sold as optional accessory

**ADDITIONAL FEATURES**

**Evaporator Plate:**

- High performance copper
- No harvest assist necessary
- TrueNcap<sup>SM</sup>L<sub>8</sub> Sanitary evaporator fully insulated & sealed for efficiency and cleanliness

**Construction:**

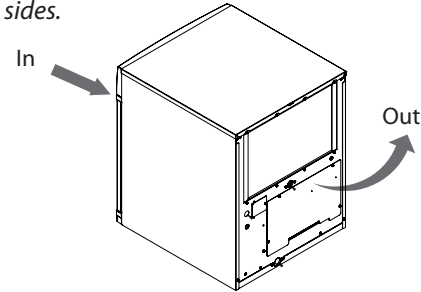
- TrueTech aluminum front and sides, all plastic interior and single piece case for both 22" & 30" units

**Refrigeration System:**

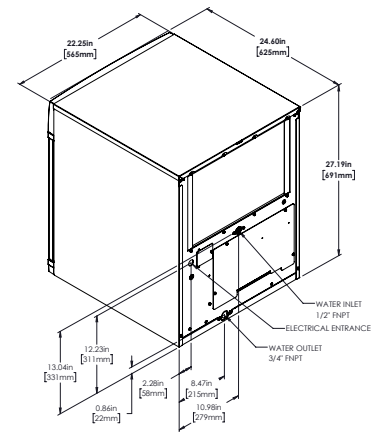
- Environmentally friendly R290 Refrigerant
- High & low pressure transducers for gauge-free servicing
- Micro channel condenser for superior efficiency
- Wide operating range: 35°F to 110°F ambient
- Ultra quiet fan operation

**AIR COOLED**

Please note: air-cooled units require 6" (15.24mm) clearance for air intake and exhaust on the front and back sides.



**PLAN VIEW**



**SPECIFICATIONS**

Model	Condenser Type	Refrigerant	Cube Size	Crated Weight (lbs)	@ 70°F air/50°F water		@ 90°F air/70°F water		Peak Heat of Rejection	Voltage	Min Circuit Ampacity
					Ice Production per 24hr	Ice Production per 24hr	Potable Water Consumption	Electrical Consumption			
TCIM-622-HA1-A	Air	R290	Half	200	640 lbs (290 kg)	580 lbs (263 kg)	14.2 gal/100lb	4.15 kWh/100lb	8500 BTU/hr	115/60/1	15
TCIM-622-FA1-A	Air	R290	Full	200	640 lbs (290 kg)	*	*	*	8500 BTU/hr	115/60/1	15

**OPTIONS & ACCESSORIES**

**OPERATING REQUIREMENTS**

Water Filters / Bin Adaptor			Ambient Air Temp:	Minimum	Maximum
Filter System	Replacement Cartridge	8" Bin Adaptor - for 30" bin	Water Temp:	35°F (1.7°C)	110°F (43.3°C)
P/N 855953	P/N 855884	P/N 841937	Water Pressure:	20 psi (138 kPa)	100 psi (689 kPa)

**CONNECTIONS**

CONNECTIONS		DIMENSIONS	
Potable water in:	1/2" Female NPT	W x D x H (in.)	22 x 24 x 22
Water out:	3/4" Female NPT	W x D x H (mm)	559 x 610 x 559
Hole for electrical connections:	7/8"		

\* Waiting on Energy Star Listing.

