

SunFire®

X Series 60" Raised Griddle/Broiler Gas Range

Item: _____
 Quantity: _____
 Project: _____
 Approval: _____
 Date: _____

X Series 60" Raised Griddle/Broiler Gas Range

Models:

- X60-6R24RR X60-6R24RS X60-6R24SS



Model X60-6R24RR

NOTE: Ranges supplied with casters must be installed with an approved restraining device.

Standard Features:

- Large 27" (686mm) work top surface
- Stainless steel front and sides
- Stainless steel 4" (102mm) plate rail
- Stainless steel backguard w/ removable stainless steel shelf
- 24" (610mm) raised griddle broiler section w/3 cast iron burners each rated 14,500 Btuh/4-25kW
- 12" (305mm) section stamped drip trays w/ dimpled bottom
- Durable easy to read control knobs
- Easy to clean 6" (152mm) steel core, injected molded legs
- Pressure regulator, 1" NPT
- Ergonomic split cast iron top ring grates
- 30,000 Btuh/ 8.79 kW 2 piece cast iron "Q" style donut open burner
- 5/8" (15mm) thick steel griddle plate w/manual hi/lo valve control
- 4-1/4" (108mm) wide grease trough
- Heavy duty oven door w/keep-cool handle
- Straight steel tube oven burner 33,000 Btuh/9.67 kW

- Standard size Sunfire oven w/ ribbed porcelain oven bottom and door interior, aluminized top, sides and back
- Oven thermostat w/ Low to 500° F (260° C)
- Nickel plated oven rack with two fixed position oven rack guides
- Cabinet base in lieu of oven(s)

Optional Features:

- Hot top 12" (305mm) plate, 5/8" (15mm) thick in lieu of two open burners, manual valve controlled w/18,000 Btuh/5.27 kW cast iron burner; standard on left side
- Shelf for cabinet base models
- Low profile 9-3/8" (238mm) backguard stainless steel front and sides
- Stainless steel back for backguard
- Additional oven racks
- 6" (152mm) swivel casters (4), w/ front locking
- Flanged deck mount legs
- Celsius temperature dials

Specifications:

Gas restaurant series range with 2 standard size Sunfire ovens. 59-1/16" (1500mm) wide with a 27" (686mm) deep work top surface. Stainless steel front, sides and 4" (102mm) wide front rail. 6" (152mm) legs with adjustable feet. Six robust 2 piece 30,000 Btuh/8.797 kW (Natural gas), cast open burners set in split cast iron ergonomic grates. 24" (610mm) raised griddle/broiler with cast iron burners each rated at 14,500 Btuh/4.25kW. Optional hot top with cast iron "H" style burners, 18,000 Btuh/5.27 kW (natural gas), in lieu of open burners. Porcelain oven bottom and door liner. Two position fixed rack guide w/one oven rack. Heavy duty oven door with "keep cool" door handle. Straight steel tube oven burner 33,000 Btuh/9.67 kW (natural gas) provides quality bake and good recovery. Oven thermostat ranges from Low to 500° F (260° C). Available with storage base.



Garland Commercial Industries, LLC
 185 East South Street
 Freeland, PA 18224
 Phone: (570) 636-1000
 Fax: (570) 636-3903

Garland Commercial Ranges Ltd
 1177 Kamato Road,
 Mississauga, Ontario
 L4W 1X4 CANADA
 Phone: 905-624-0260
 Fax: 905-624-5669

Enodis UK LTD
 Swallowfield Way,
 Hayes, Middlesex
 UB3 1DQ ENGLAND
 Telephone: 081-561-0433
 Fax: 081-848-0041

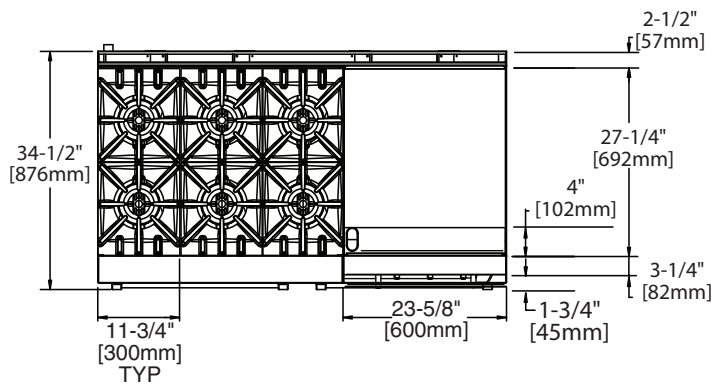
Enodis

| Model Number | Description | Total BTU/Hr Natural | Shipping Information | | |
|--------------|---|----------------------|----------------------|-----|-------|
| | | | Lbs. | Kg | Cu Ft |
| X60-6R24SS | 6 Open Burners, 24" Raised Griddle/Broiler w/ Double Storage Base | 213,000 | 662 | 300 | 81 |
| X60-6R24RR | 6 Open Burners, 24" Raised Griddle/Broiler w/ (2) Standard Ovens | 279,000 | 828 | 376 | 81 |
| X60-6R24RS | 6 Open Burners, 24" Raised Griddle/Broiler w/ (1) Standard Ovens & Storage Base | 246,000 | 787 | 357 | 81 |

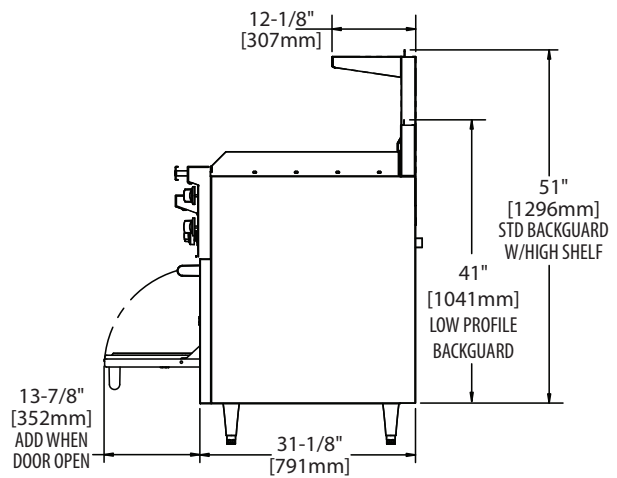
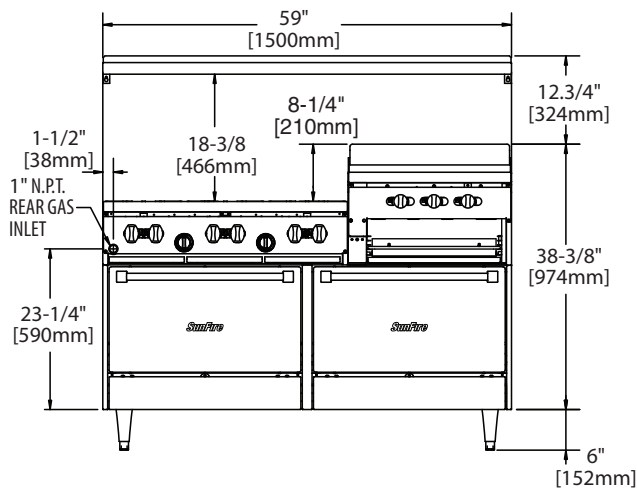
| Width In (mm) | Depth In (mm) | Height w/shelf In (mm) | Oven Interior-in (mm) | | | Combustible Wall Clearance-In (mm) | | Entry Clearances In (mm) | | Manifold Operating Pressure | |
|----------------|---------------|------------------------|-----------------------|----------|--------------|------------------------------------|---------|--------------------------|--------------|-----------------------------|----------------|
| | | | Height | Depth | Width | Sides | Rear | Crated | Uncrated | Natural | Propane |
| 59-1/16 (1500) | 33-1/2 (8512) | 57 (1448) | 13 (330) | 22 (559) | 26-1/4 (667) | 14 (356) | 6 (152) | 37 (940) | 36-1/2 (927) | 4.5" WC 11 mbar | 10" 25 mbar |

Gas input ratings shown for installations up to 2000 ft.,(610m) above sea level. Please specify altitudes over 2000 ft.

| Gas Type | Burner Ratings (BTU/Hr/kW) | | | |
|----------|----------------------------|-------------|---------------|------------------------|
| | Open Top | Hot Top | Standard Oven | Raised Griddle/Broiler |
| Natural | 30,000/8.79 | 18,000/5.27 | 33,000/9.67 | 33,000/9.66 |
| Propane | 26,000/7.61 | 18,000/5.27 | 29,000/8.50 | 33,000/9.66 |



Note: Installation clearance reductions are applicable only where local codes permit.
This product is not approved for residential use.



Form# XRB60 Series (09/02/08)

Garland Commercial Industries, LLC
185 East South Street
Freeland, PA 18224
Phone: (570) 636-1000
Fax: (570) 636-3903

Garland Commercial Ranges Ltd
1177 Kamato Road,
Mississauga, Ontario
L4W 1X4 CANADA
Phone: 905-624-0260
Fax: 905-624-5669

Enodis UK LTD
Swallowfield Way,
Hayes, Middlesex
UB3 1DQ ENGLAND
Telephone: 081-561-0433
Fax: 081-848-0041

Enodis®