

Mega Top Units

Exceptional Quality 2 Years Parts and Labor Warranty



FEATURES / BENEFITS

* Height does not include 6" for caster height.

EFFICIENT REFRIGERATION SYSTEM

Turbo Air's solid door refrigerators are designed with oversized and balanced (CFC Free R-134A) refrigeration systems. These include efficient evaporators and condensers for faster cooling and greater efficiency.

COLD AIR COMPARTMENT

Our innovative "Cold Air Compartment" maintains temperature evenly for each pan to preserve fresh food longer. In addition, the compartment isolates pans from the reach-in area to prevent food spillage.

STAINLESS STEEL CABINET CONSTRUCTION

The Turbo Air Super Deluxe model boasts a stainless steel interior and exterior (except the back).

It guarantees the utmost in cleanliness and long product life. The Super Deluxe can add a touch of style to the most refined setting.

HIGH-DENSITY POLYURETHANE INSULATION

The entire cabinet structure and solid doors are formed-in-place using high density, CFC free polyurethane insulation.

MAGNETIC DOOR GASKET

Magnetic door gaskets are of one piece construction, removable without tools for ease of cleaning and replacement.

STURDY, CLEAN STAINLESS SHELVING

Shelves are the most important part of cleanliness as they come in direct contact with food. After a while, PVC coated wire shelves may peel, rust and lead to unsanitary conditions. Only the Turbo Air Super Deluxe series uniquely provides stainless shelving.

ERGONOMICALLY DESIGNED DOOR

Customers' fatigue fades away with easy grip handles and doors that open effortlessly. These features along with self-closing doors make this the ultimate choice in customer convenience. ABS sheet door liners resist water condensation with thermal efficiency.

CONVENIENT CUTTING BOARD SIDE RAIL

The new side rail cutting board bracket makes it easy to secure and remove the cutting board and it accepts different sizes too (max. 1/2" thickness)

HOT GAS CONDENSATE SYSTEM

Through Turbo Air's creative innovation, the condensate system surfaces have been specially treated to resist corrosion. This not only increases efficiency without the risk of refrigerant leakage from corrosion, but also prevents the overflow of condensate water.

REFRIGERATOR HOLDS 33°F ~ 39°F FOR THE BEST IN FOOD PRESERVATION

* Insulated Pan Cover

Model	Swing Door	CU./FT.	#of Shelves	#of Pans	#of Hood	HP	AMPS	Crated Weight	L D H
TST-28SD-12	1	8	1	12	1	1/3	6.6	184	27 1/2 x 34 x 39 2/5
TST-36SD-15	2	11	2	15	1	1/3	6.6	215	36 1/3 x 34 x 39 2/5
TST-48SD-18	2	15	2	18	1	1/3	6.5	262	48 2/9 x 34 x 39 2/5
TST-60SD-24	2	19	2	24	2	1/2	8.9	308	60 1/4 x 34 x 39 2/5
TST-72SD-30	3	23	3	30	2	1/2	9.9	372	72 2/3 x 34 x 39 2/5

TST-28SD-12 / TST-36SD-15 / TST-48SD-18 / TST-60SD-24 / TST-72SD-30 SPECIFICATIONS

MODEL	TST-28SD-12	TST-36SD-15	TST-48SD-18	TST-60SD-24	TST-72SD-30
Exterior Dimension(LxDxH)	27 ¹ / ₂ x34x39 ² / ₅	36 ¹ / ₃ x34x39 ² / ₅	48 ² / ₉ x34x39 ² / ₅	60 ¹ / ₄ x34x39 ² / ₅	72 ² / ₃ x34x39 ² / ₅
Cubic Feet	8	11	15	19	23
Compressor (HP)	1/3	1/3	1/3	1/2	1/2
Shelves	1 ea	2 ea	2 ea	2 ea	3 ea
Net Weight	174lbs	203lbs	247lbs	291lbs	351lbs
Voltage ⓘ NEMA-5-15P	ⓘ115V / 60Hz	ⓘ115V / 60Hz	ⓘ115V / 60Hz	ⓘ115V / 60Hz	ⓘ115V / 60Hz
Amp	6.6 A	6.6 A	6.5 A	8.9 A	9.9 A
Cord Length	9.2 ft.	9.2 ft.	9.2 ft.	9.2 ft.	9.2 ft.
Plug-In	NEMA 5-15P	NEMA 5-15P	NEMA 5-15P	NEMA 5-15p	NEMA 5-15P
#of Pans	12 ea	15 ea	18 ea	24ea	30ea

- **SELF-CONTAINED SYSTEM**
- **5" SWIVEL CASTERS**
- **LEGS AVAILABLE FOR ALL MODELS (OPTION)**
- **STANDARD 1/6 SIZE, 4" DEEP CONDIMENT PANS INCLUDED**
- **REMOTE CABINETS AND CONDENSING UNITS AVAILABLE FOR ALL MODELS.**

*Design and specifications subject to change without notice.

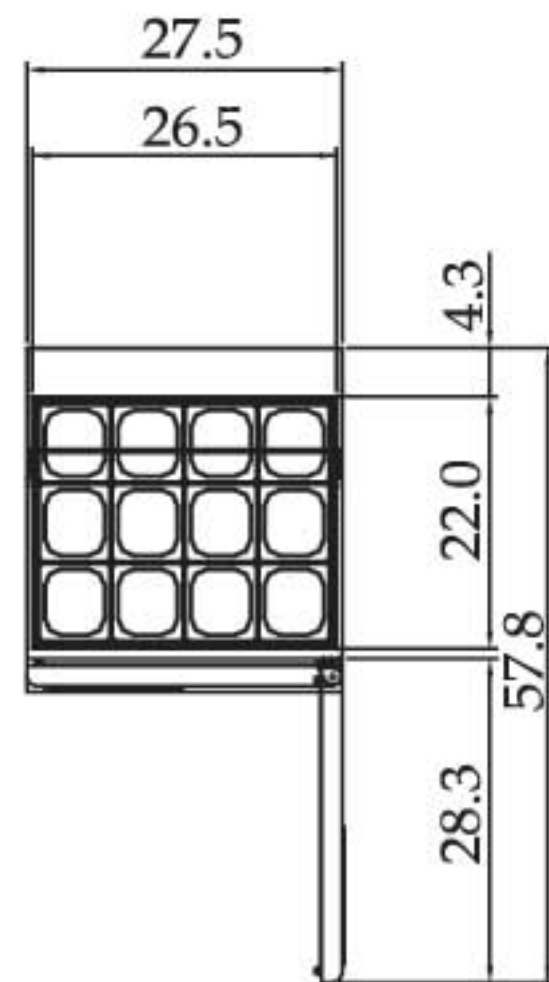
- **WARRANTY : 2 Years Labor and Parts Warranty**
Additional 3 Years Warranty on Compressor



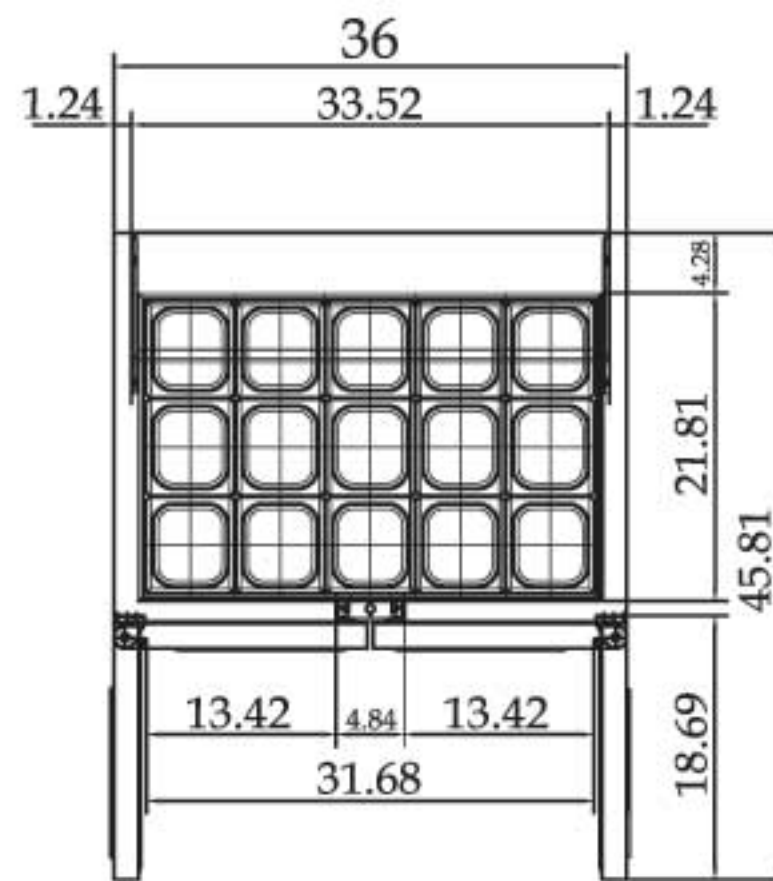
LISTED
COMMERCIAL
REFRIGERATOR
AND/OR FREEZER
43BK



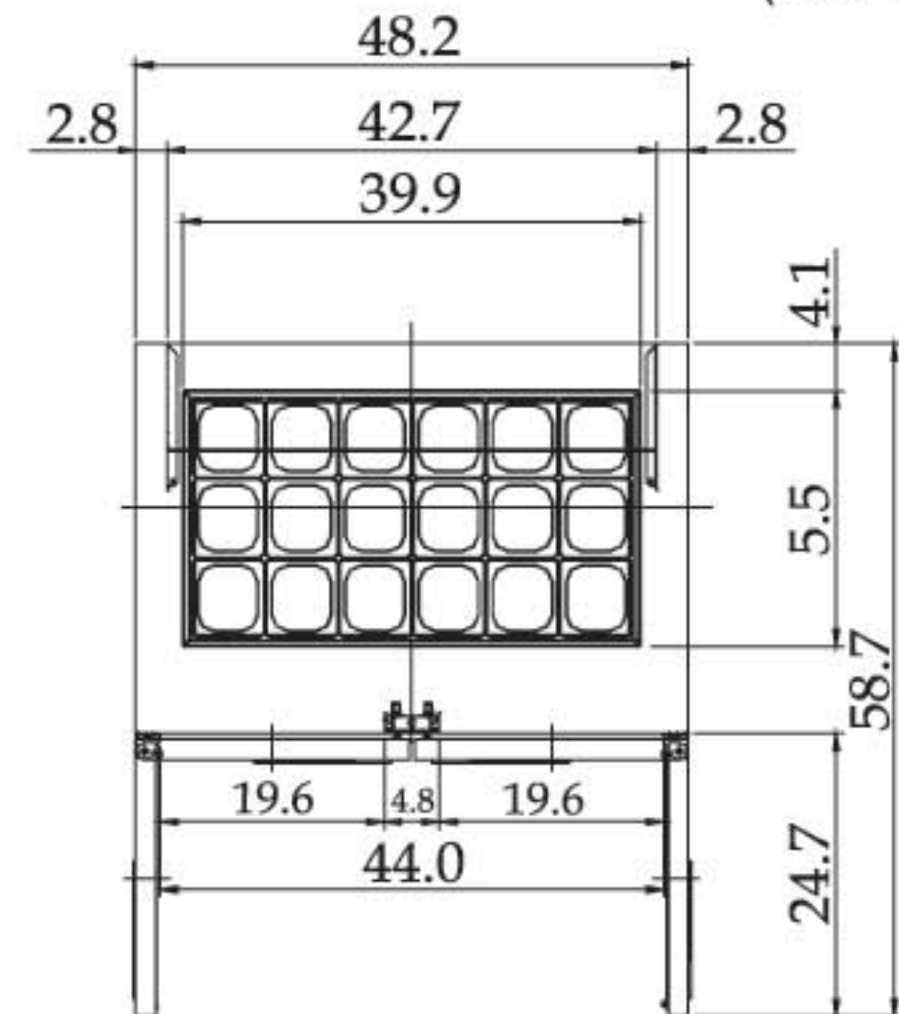
ISO9001



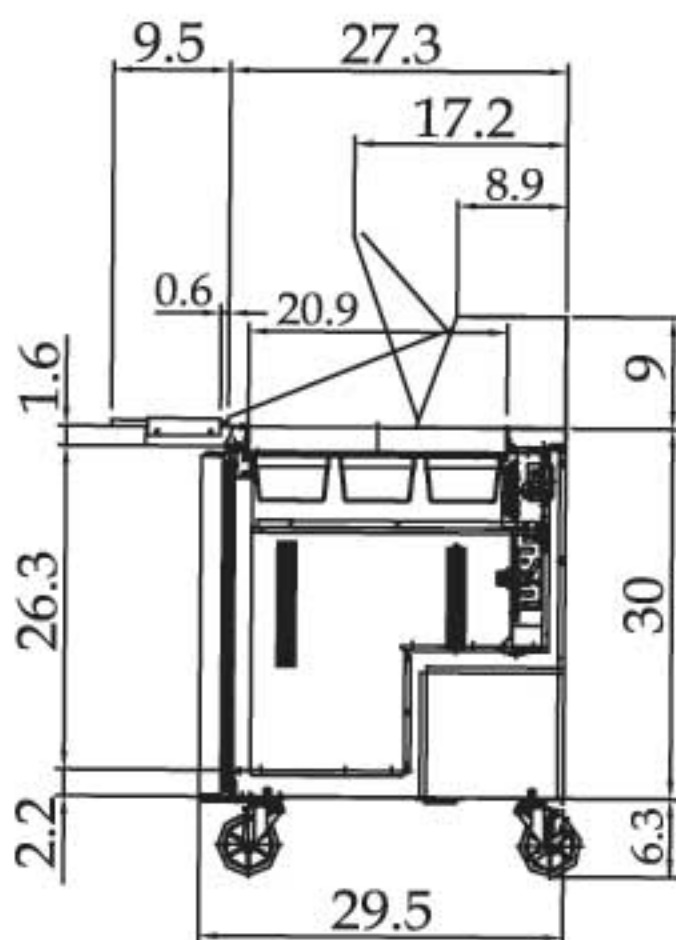
TST-28SD-12 PLAN VIEW



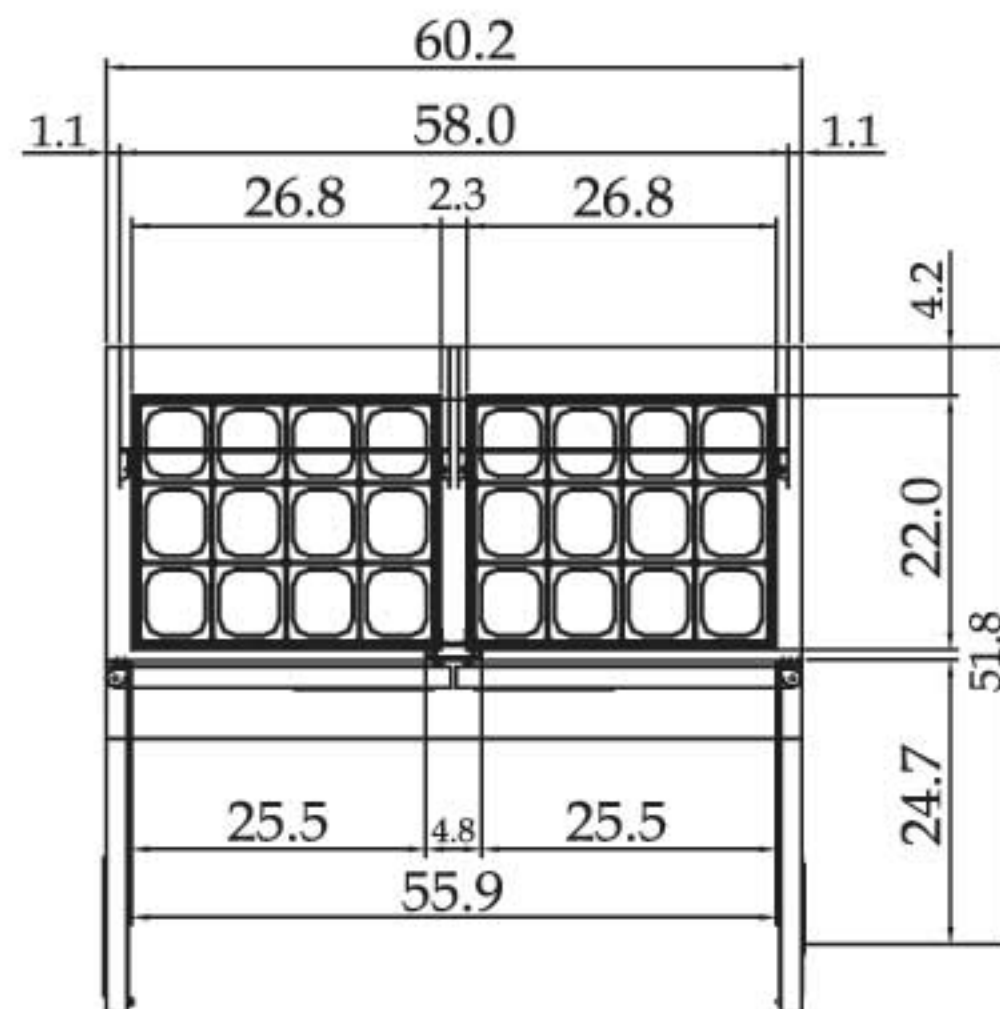
TST-36SD-15 PLAN VIEW



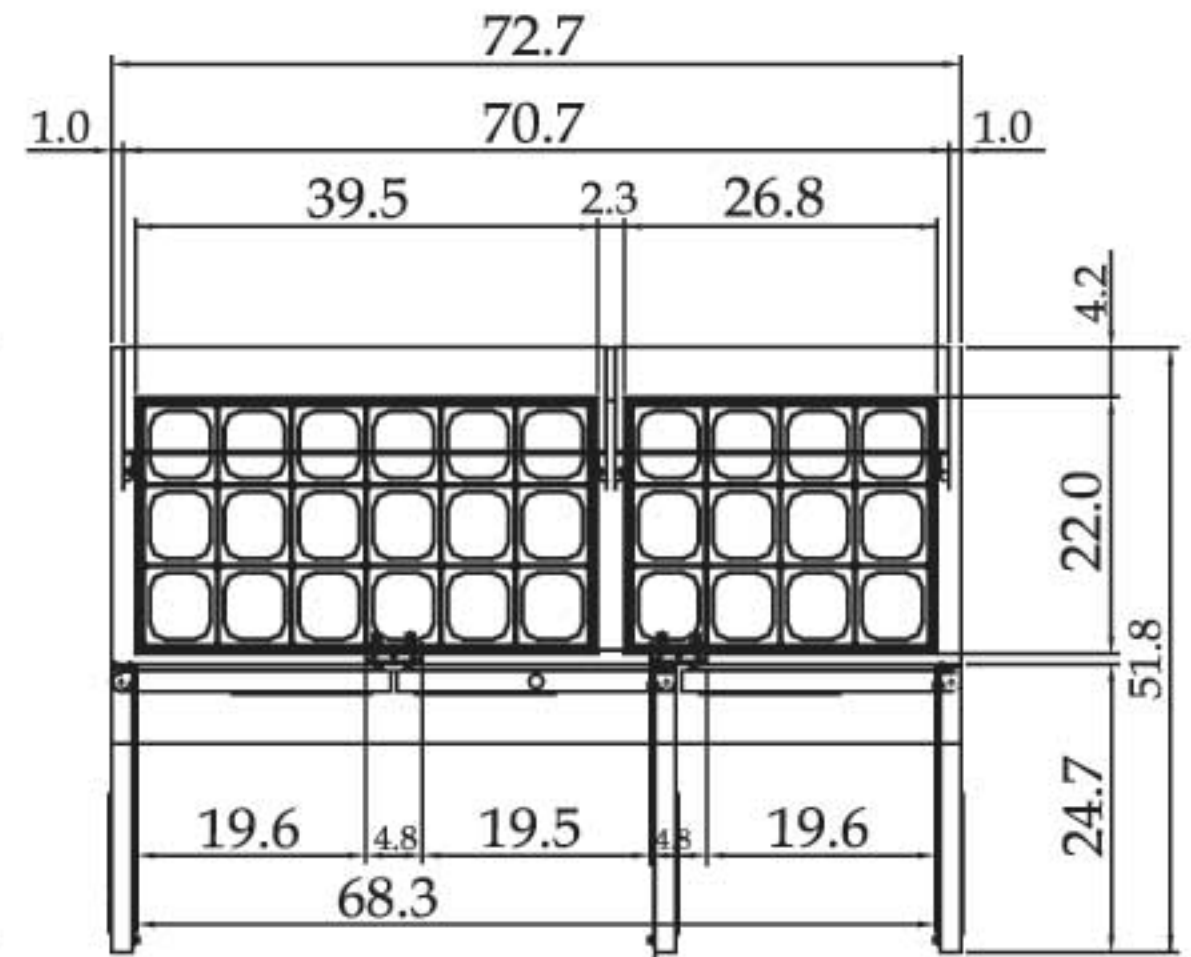
TST-48SD-18 PLAN VIEW



SIDE VIEW



TST-60SD-24 PLAN VIEW



TST-72SD-30 PLAN VIEW

(unit : inch)