

Back Bars

CABINET INTERIOR/EXTERIOR SPECIFICATIONS

MODEL	TBB-2SB	TBB-3SB	TBB-2SG	TBB-3SG
Exterior Dimension(LxDxH)	58.8"x27.2"x37.1"	69.1"x27.2"x37.1"	58.8"x27.2"x37.1"	69.1"x27.2"x37.1"
Cubic Feet	19	23	19	23
Comp.	1/4HP	1/4HP	1/3HP	1/3HP
Shelves	6 ea	6 ea	6 ea	6 ea
Weight	276lbs	298lbs	286lbs	308lbs
Power	115V/60Hz	115V/60Hz	115V/60Hz	115V/60Hz
Amp	7.0A	7.0A	7.0A	7.0A
Cord Length	10 Feet	10 Feet	10 Feet	10 Feet
Plug-In	NEMA 5-15P	NEMA 5-15P	NEMA 5-15P	NEMA 5-15P



*Design and specifications subject to change without notice.



TBB-2SB



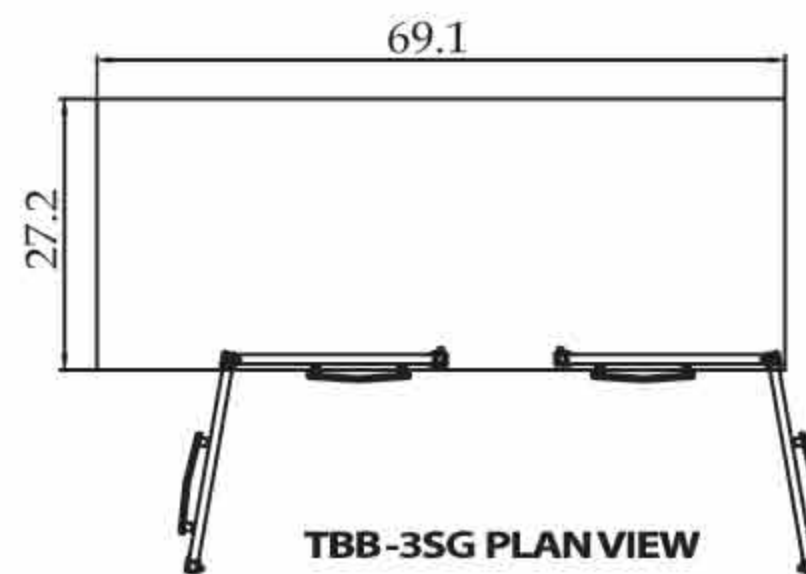
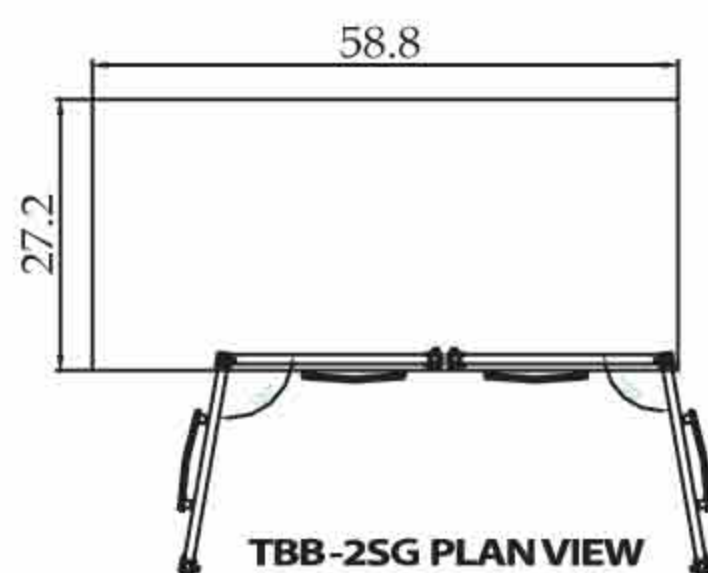
TBB-3SB



TBB-2SG



TBB-3SG



(unit : inch)

