

## SQBCR Series, High Volume Refrigerated Bakery Display Case

## SQBCD Series, High Volume Dry Bakery Display Case

*Glass Top*



*model shown SQBCR-59  
with standard glass top*



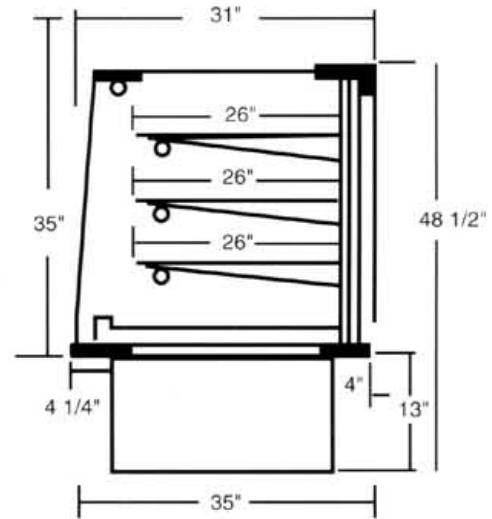
7453 Northwest 32nd Avenue, Miami, Florida 33147 • (305) 691-0500  
Fax (305) 691-1212  
[www.marcrefrigeration.com](http://www.marcrefrigeration.com)



**SQBC Series, Bakery Display Cases for High Volume Refrigerated and Non-Refrigerated**



*Solid Top Available*



**STANDARD FEATURES**

- Insulated tempered safety glass (non insulated on BCD Models on front and top)
- Full length fluorescent lighting installed at top of case and under each shelf
- Three rows of heavy duty white coated wire shelves able to accommodate standard 18" x 26" sheet pans
- Electrical cord and plug
- Air cooled low velocity refrigeration system mounted on easy removable slide in and out base on SQBCR Models
- Mirror interior ends
- Mirror interior sliding doors, white on exterior doors
- Mirror stainless top caps
- Mirror stainless steel front grill on SQBCR Models
- Heavy duty aluminum mill finish main deck
- Condensate evaporator eliminates need for drain on Refrigerated Models
- Solid top available

model	length	height	depth	row of shelves	pan capacity 18" x 26"	amps	voltage	H.P.	est. weight
SQBCR-48	48 3/4"	48 1/2"	35"	3	8 full 4 half	12 amps	120/60/1	1/3	665 lbs
SQBCD-48	48 3/4"	48 1/2"	35"	3	8 full 4 half	3 amps	120/60/1	—	470 lbs
SQBCR-59	59 3/4"	48 1/2"	35"	3	12	16 amps	120/60/1	1/2	780 lbs
SQBCD-59	59 3/4"	48 1/2"	35"	3	12	3 amps	120/60/1	—	680 lbs
SQBCR-77	77 3/4"	48 1/2"	35"	3	16	16 amps	120/60/1	1/2	970 lbs
SQBCD-77	77 3/4"	48 1/2"	35"	3	16	3 amps	120/60/1	—	840 lbs

**NOTE:** Designed for use in locations with air conditioning, where temperature and relative humidity DO NOT exceed 75°F and 55% R.H. (Excessive condensation & loss of temperature may occur).

*We reserve the right to change specifications and or colors of interior and or exterior parts at our own discretion without notice.*

