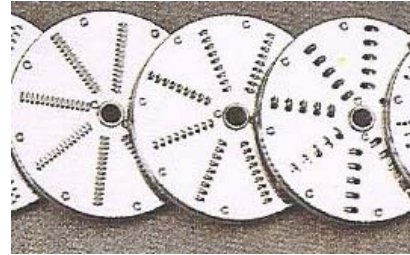


FLEETWOOD Model PA11

Power Cheese and Vegetable Shredder



OVERSIZED 11" DISC



Shreds whole blocks without cutting

Designed for high volume cheese and vegetable shredding. The powerful pa11 makes short work of all types of cheese both soft and hard. Perfect for shredding cabbage lettuce and carrots. Powerful 1 h.p. motor drives cutting disc at 500 rpm. Vertical feed chute allows for whole blocks of cheese to be shredded. Heavy stainless steel pusher for stability during heavy use. Motor housing and feed chute stainless steel, top hosing anodized aluminum. Unit comes standard with three 11" shredding disc 1/8" , 3/16" and 3/8". Optional hard grating disc and slicing disc.

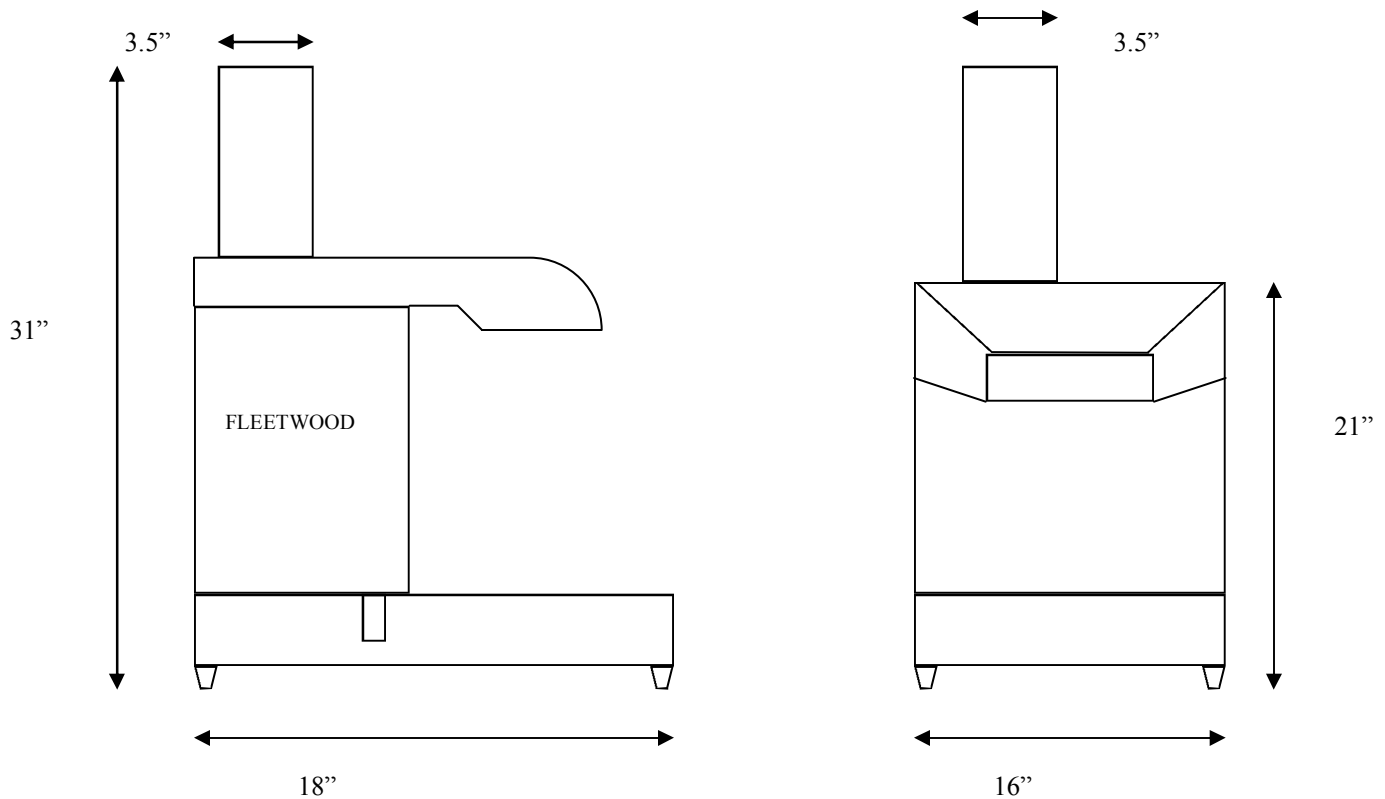
FLEETWOOD FOOD SERVICE . NEWARK . NEW JERSEY
PH. 973-482-5070 FX 973-482-0725



**SLICERS, GRINDERS,
SAWS, PROCESSORS, GRILLS,
PACKAGING,
DOUGH ROLLERS, CUTTERS,
BLENDERS, PEELERS, MIXERS**

MODEL PA11 SPECIFICATIONS

POWER CHEESE/VEGETABLE SHREDDER



SPECIFICATIONS

ELECTRICAL: 115-230 / 60/1 (SHIPS 115/60/1)

MOTOR: 1 H.P. CAPACITOR START 1725 RPM, HEAVY DUTY SUPPORT AND DRIVE SHAFT

SWITCH: ROCKER 4 POLE, LOCATED ON FRONT OF MACHINE FOR EASY ACCESS

CORD /PLUG: 6 FOOT LONG, 3 WIRE SJTO CORD STANDARD 115V PLUG

MOTOR HOUSING: COMPLETELY ENCLOSED IN STAINLESS STEEL

SHREDDING HEAD: STAINLESS STEEL FEED CHUTE, ANODIZED ALUMINUM HOPPER

WEIGHT: SHIPPING 65 NET 55

DIMENSIONS: 31"X 16" X 18"

DISC OPTIONS: SHREDDING 1/8", 3/16", 3/8"
 GRATING V11
 SLICING 1/16", 1/8"

FLEETWOOD FOOD SVC. * NEWARK N.J. * (973)482-5070