



STAINLESS STEEL
SERVICE & MOP SINKS



9-OP-20 shown with optional faucet, hose & hanger

Floor Mounted



9-OP-20



9-OP-40

Item #: _____ *Qty #:* _____
Model #: _____
Project #: _____

FEATURES:

Floor mounted unit eliminates the need of lifting heavy containers.
 Tile edge furnished on the rear.
 Bowls rectangular in design for increased capacity.

CONSTRUCTION:

All TIG welded.
 Welded areas blended to match adjacent surfaces and to a satin finish.

MATERIAL:

Heavy gauge type "304" series stainless steel.

FEATURES:

Leg mounted design.
 High back splash.

CONSTRUCTION:

All TIG welded.
 Welded areas blended to match adjacent surfaces and to a satin finish.

MATERIAL:

Heavy gauge type "304" series stainless steel.

Conventional



8-OP-16

Economy



4-OP-18

K-243 MOP DRAINAGE TRAY



- 16 Gauge, 300 Series Stainless Steel
- Includes Cast 1/2" Drain & Plastic Hose
- Wall Mounted (Hardware not Included)
- 2" Tray Height with 6" Rear Splash (Overall Height)



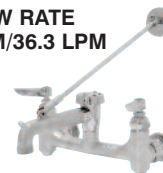
K-242
 23" Length x 4 1/2" Height



K-244

SERVICE & MOP SINK ACCESSORIES

FLOW RATE
 9.6 GPM/36.3 LPM



K-240



K-245 & K-246
 8" Wide Shelf

ACCESSORIES	Model #	Qty
Service Faucet	K-240	
Mop Hanger	K-242	
Mop Drainage Tray	K-243	
Hose & Bracket	K-244	
24" Length Utility Shelf	K-245	
36" Length Utility Shelf	K-246	



NEW YORK
 (800) 645-3166
 Fax: (631) 242-6900

GEORGIA
 (800) 832-1218
 Fax: (770) 775-5625

TEXAS
 (800) 527-0353
 Fax: (972) 932-4795

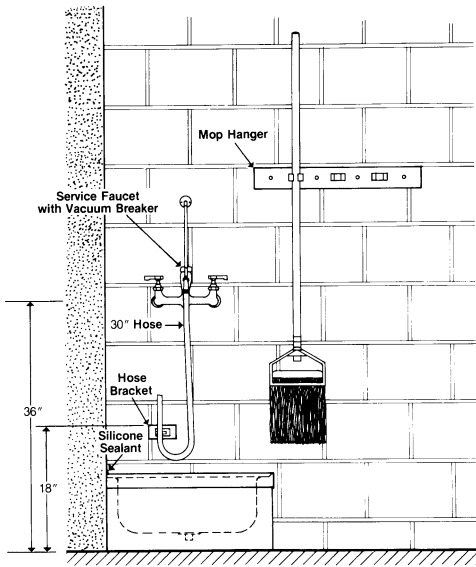
NEVADA
 (800) 446-8684
 Fax: (775) 972-1578

DIMENSIONS

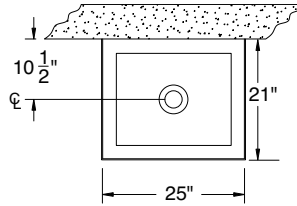
TOL Overall: $\pm .500''$
 Interior: $\pm .250''$

ALL DIMENSIONS ARE TYPICAL

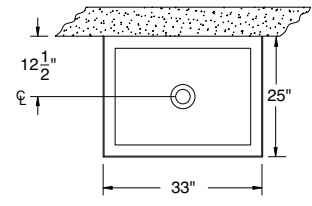
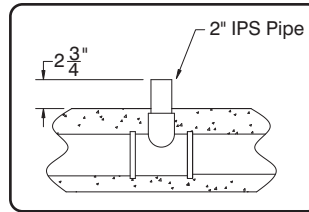
SUGGESTED INSTALLATION



- 9-OP-20:** 16" x 20" x 6" Bowl with 10" Overall Height.
- 9-OP-28:** 20" x 28" x 6" Bowl with 10" Overall Height.
- 9-OP-40:** 16" x 20" x 12" Bowl with 16" Overall Height.
- 9-OP-48:** 20" x 28" x 12" Bowl with 16" Overall Height.

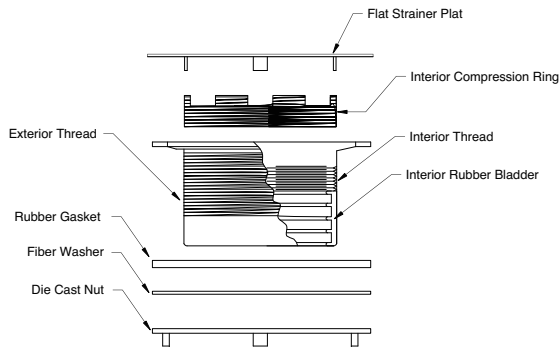


9-OP-20
9-OP-40

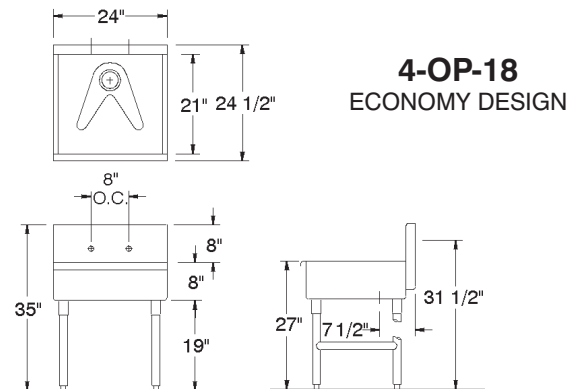
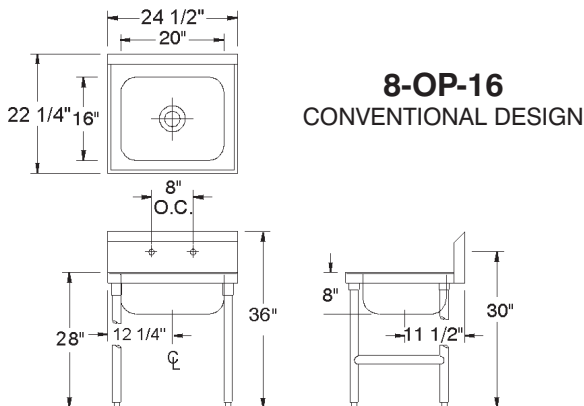
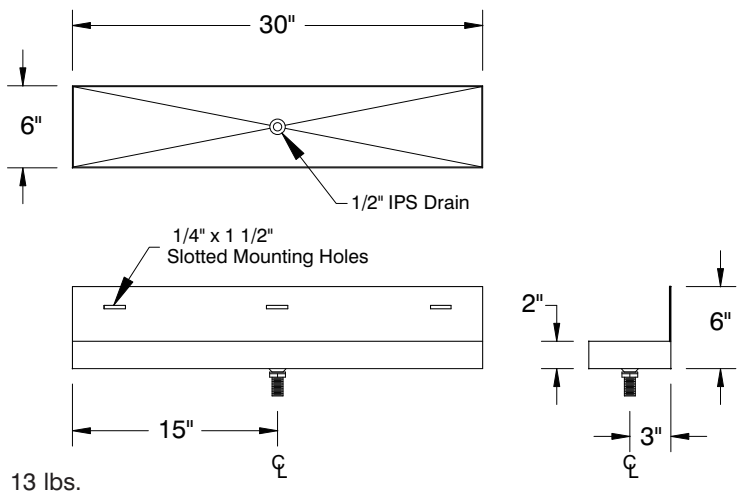


9-OP-28
9-OP-48

MOP SINK DRAIN ASSEMBLY



K-243 MOP DRAINAGE TRAY



1 1/2" IPS

