



STAINLESS STEEL  
**HAND SINKS** **NSF**  
**STANDARD**

**SPLASH MOUNTED FAUCETS**



7-PS-60



7-PS-68



7-PS-50



7-PS-20



7-PS-67

**SINGLE HOLE PUNCH**  
*Faucet omitted*



7-PS-71

**DOUBLE HOLE PUNCH**  
*Faucet omitted*



7-PS-70

**LARGE SIZE SINK BOWL**

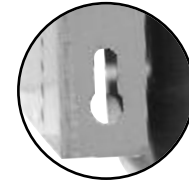


7-PS-45

Features  
 Large Size  
 Sink Bowl  
 16" x 20" x 8"

**Item #:** \_\_\_\_\_ **Qty #:** \_\_\_\_\_  
**Model #:** \_\_\_\_\_  
**Project #:** \_\_\_\_\_

**Keyhole Bracket for easier installation and greater stability.**



**FEATURES:**

One piece **Deep Drawn** sink bowl design.  
 Sink bowl is 10" x 14" x 5"\*.  
 (\*7-PS-45 sink bowl size is 16" x 20" x 8")  
 All sink bowls have a large liberal radii with a minimum dimension of 2" and are rectangular in design for increased capacity.  
 Keyhole wall mount bracket.  
 Stainless steel basket drain 1-1/2" IPS.

**Specific Features:**

**7-PS-50** features lever operated drain and built-in overflow with plastic overflow tube and spring clamps. P-Trap is 1 1/2".  
**7-PS-20** 4" O.C. deck mounted centerset faucet furnished with aerator.  
**7-PS-50 & 7-PS-60** 4" O.C. splash mounted gooseneck faucet, chrome plated & furnished with aerator.  
**7-PS-45** Same as above plus 2 Support Brackets (Hardware Included).  
**7-PS-67** features lever operated drain.  
**7-PS-68** 4" O.C. splash mounted gooseneck faucet with Wrist Handles, chrome plated & furnished with aerator.

**CONSTRUCTION:**

All TIG welded.  
 Welded areas blended to match adjacent surfaces and to a satin finish.  
 Die formed Countertop Edge with a No-Drip offset.  
 One sheet of stainless steel - No Seams.

**MATERIAL:**

Heavy gauge type 304 series stainless steel.  
 Wall mounting bracket is Galvanized and of offset design.  
 All fittings are brass / chrome plated unless otherwise indicated.

**MECHANICAL:**

Faucet supply is 1/2" IPS male thread hot and cold.

**FOR REPLACEMENT FAUCET, DRAINS AND ACCESSORIES  
 SEE PAGE B-13 & SECTION G**



**NEW YORK**  
 (800) 645-3166  
 Fax: (631) 242-6900

**GEORGIA**  
 (800) 832-1218  
 Fax: (770) 775-5625

**TEXAS**  
 (800) 527-0353  
 Fax: (972) 932-4795

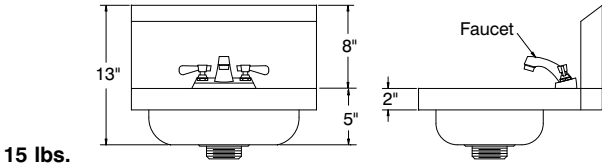
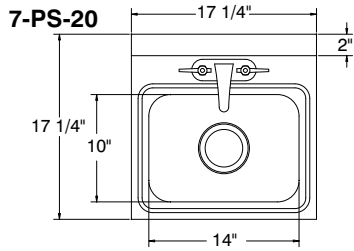
**NEVADA**  
 (800) 446-8684  
 Fax: (775) 972-1578

# DIMENSIONS and SPECIFICATIONS

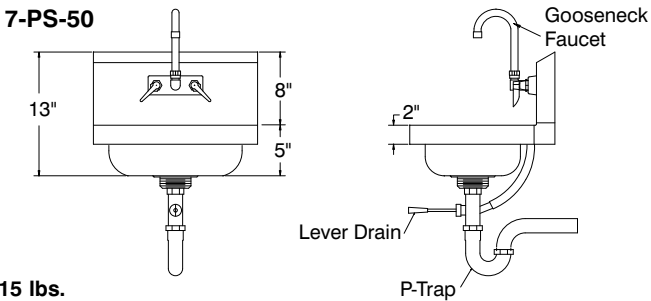
TOL Overall: ± .500" Interior: ± .250"

FITTINGS SUPPLIED AS SHOWN

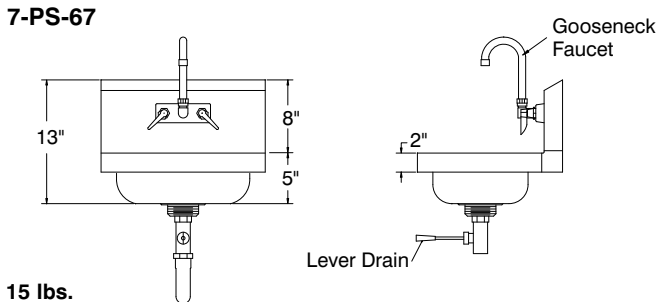
ALL DIMENSIONS ARE TYPICAL



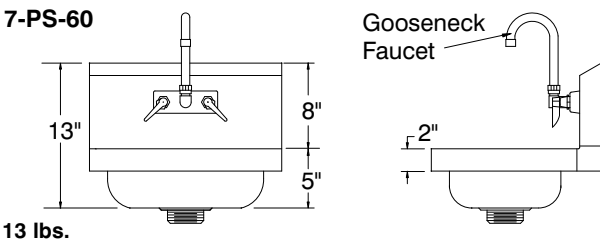
15 lbs.



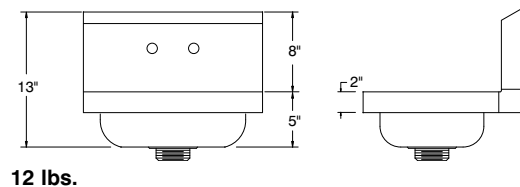
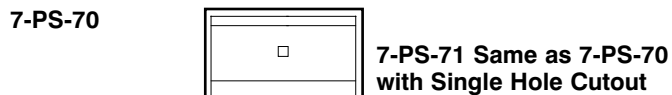
15 lbs.



15 lbs.

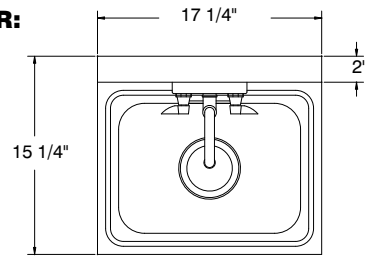


13 lbs.

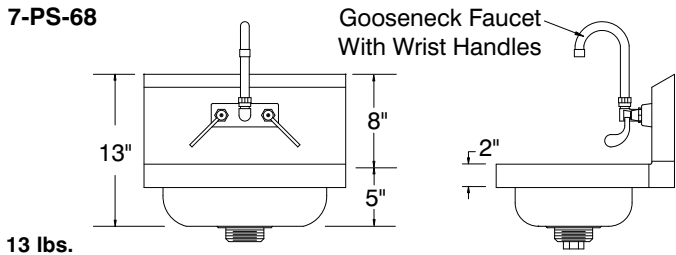


12 lbs.

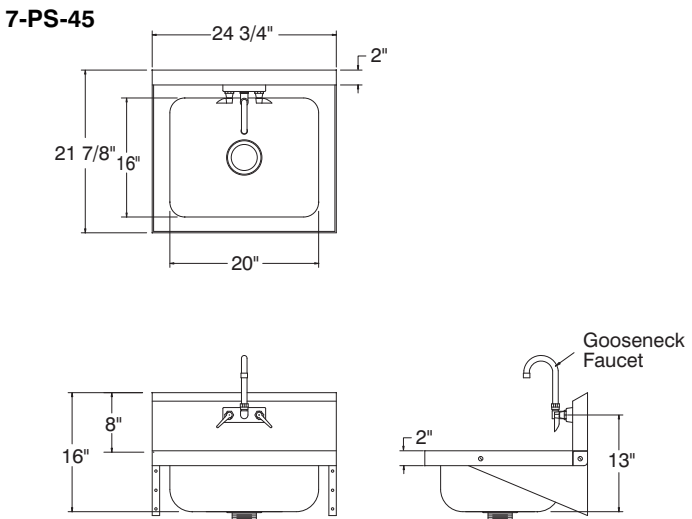
**TOP VIEW FOR:**  
**7-PS-50**  
**7-PS-60**  
**7-PS-68**  
**7-PS-70**



**Sink Bowl 10" x 14" x 5"**



13 lbs.



31 lbs.

## SUGGESTED PLUMBING

